

TYPE

RE.0 444 R

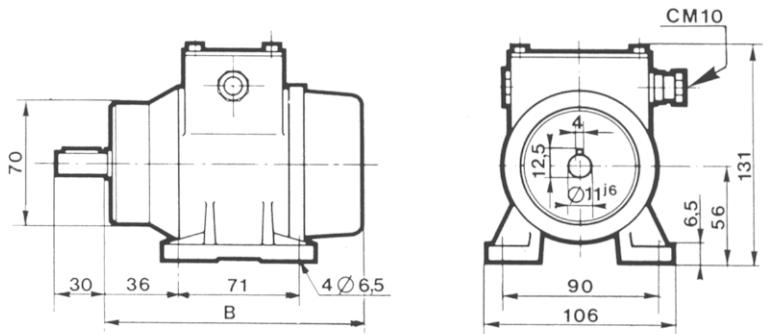
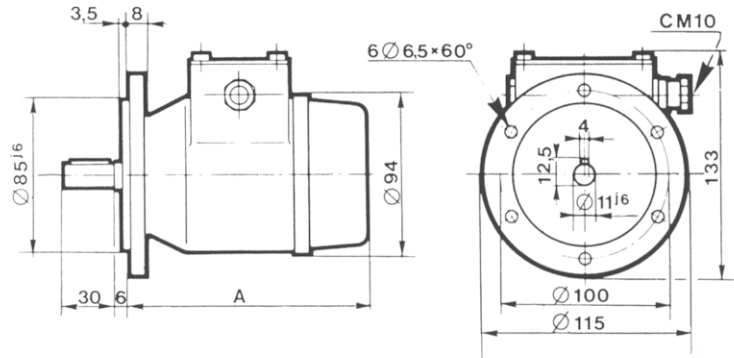
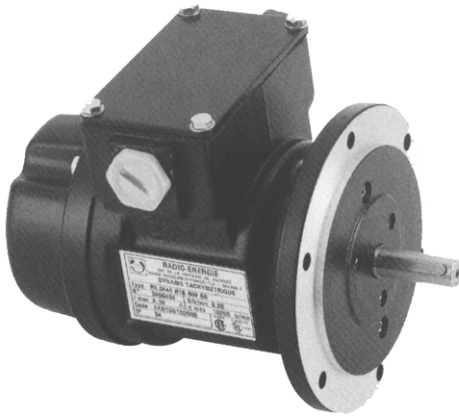


DESTINATION

- Industrial application
- Control and regulation

DESCRIPTION

- DC tachogenerator derived from RE.0444 N- model
- Rugged model
- Terminal box
- Available with one and two commutators



		1 Collector	2 Collector
A	mm	136	155
B	mm	142	161
Weight	kg	2,8	3,2

GENERAL DATA

Designation	Symbol	Unit	Value
Maximum speed (mechanical)	n_m	Rpm.	12000
Moment of inertia	J	kg cm ²	0,950
No load driving torque	M_r	N. cm	1,5
Maximum radial shaft stress	F	da N	1,0 Ø 11mm
Maximum E.M.F.	E_m	V	600
Maximum linearity error	ΔE	% E_T	≤ 0,15
Overall ripple rate (peak to peak)	ΔE_C	% E_C	≤ 0,5
Rotation harmonics (f = 2 p. n.)	ΔE_P	% E_C	≤ 0,2
Slot harmonics (f = Z. n.)	ΔE_Z	% E_C	≤ 0,3
Calibration precision	ΔE_O	% E_{T0}	± 1,0
E.M.F. temperature drift - not compensated - compensated	ΔE_θ	% /°C	0,02 0,005
Time constant	C_t	ms	2,5
*Filter: Time constant	RF x CF	ms	0,47
Load current	I_c	mA	5
Speed	n	rpm.	3000

Construction details	
Number of poles	2
Number of armature slots	19
Number of collector blades	57
Insulation class	B (IEC 34-1)
Operating temperature	-30° - 130 °C
Climatic protection	C _a (IEC 68-1)
Protection degree	IP 54 (IEC 34-5)
Direction of rotation	Reversible
Excitation	Permanent magnets Alnico

* Filter-connecting diagram on demand
Rev.: 01

DESTINATION

- Industrial application
- Control and regulation

DESCRIPTION

- DC tachogenerator derived from RE.0444 N- model
- Rugged model
- Terminal box
- Available with one and two commutators

TYPE
RE.0444 R

Mechanical options

Shaft ends and bearings

	Mounting side				Opposite mounting side			
	D (mm)		L (mm)	Bearings	D (mm)		L (mm)	Bearings
Standard	11	7	30	12 x 28 x 8 ZZ	7	30	8 x 22 x 7 ZZ	
max.	14	8	-	15 x 32 x 9 ZZ	8	-	8 x 22 x 7 ZZ	

Options

- Sealing ring (IP 56)
- Special flanges
- With multiplier

Markings and polarity of terminals (cables) for counter-clockwise rotation viewing the mounting face

1 collector		A1 : +	A2 : -
2 collectors	1. collector	1A1: +	1A2: -
	2. collector	2A1: +	2A2: -

Available options on 2nd shaft end

- second flange
- Possible adaptation of different sensors

Electrical options

				Min.									Max.	
E.M.F. at 1000 rpm.	E_n	V	1 coll. 2 coll.	6	20 2 x 20	30 2 x 30	40 2 x 40	50 2 x 50	60 2 x 60	80	100 2 x 100	120	150	200
Voltage gradient	C_v	V/rpm	1 coll. 2 coll.	0,006	0,020 2x 0,02	0,030 2 x 0,03	0,040	0,050 2 x 0,05	0,060 2 x 0,06	0,080	0,100 2 x 0,1	0,120	0,150	0,200
Armature resistance	R_a	Ω	1 coll. 2 coll.	1,50	12 2 x 24	28 2 x 55	45	70 2 x 150	100 2 x 200	180	280 2 x 470	400	640	900
Max. thermal load	I_{th}	A	1 coll. 2 coll.	1,40	0,55 2 x 0,23	0,35 2 x 0,14	0,25	0,22 2 x 0,09	0,18 2 x 0,09	0,14	0,11 2 x 0,05	0,09	0,07	0,07
Max. allowed speed	n_a	rpm	1 coll. 2 coll.	12000	12000 12000	12000 12000	12000	12000 12000	10000 10000	7500	6000 6000	5000	4000	3000

Brushes

Number	Size	Grade	Application limits	Reference
4 or 8	3,1 x 4,1 x 12,5	Electro graphite (EG)	STANDARD Max. output voltage 600 V	31 - 41 - EG
		Silver-graphite (CA)	Recommended for low speed and E.M.F. < 300 V	31 - 41 - CA

Rev.: 02

We reserve the right to modify technical features in the interest of technical advance.