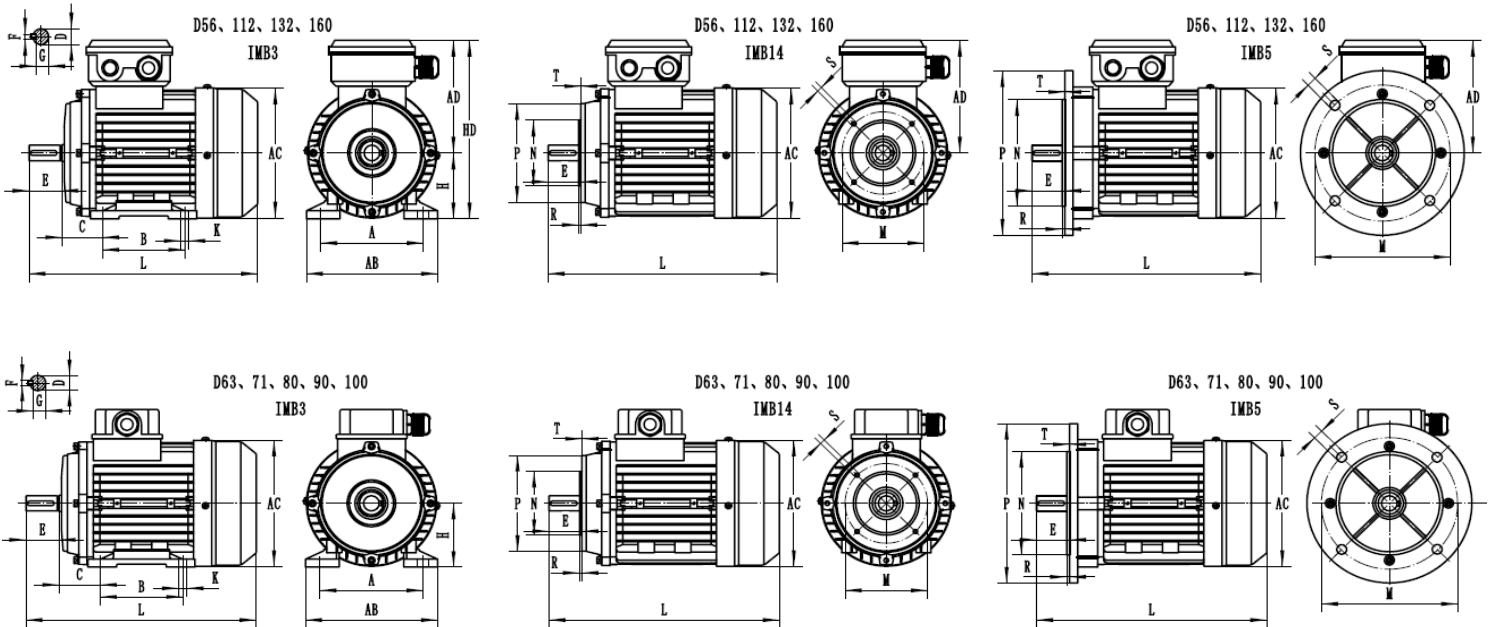




3-Phase Induction Motors

- * TEFC IC411 Alloy Frame
- * Enclosure Protection Rating IP55
- * Class F insulation with Class B temperature rise
- * Greased-for-life quality bearings
- * Shaft oil seals
- * Fully-gasketed Alloy terminal box with compression gland included
- * Light-weight, ideal for the OEM and most applications
- * Attractive Gloss Paint, Teal in colour
- * 0.75kW and larger are "Multi-mount" construction
- * Wide range of options available on request
- * Two years warranty

Outline Dimension Sheet



| Frame Size | Mounting Dimensions(mm) | | | | | | | | | | | | | | | | | | | | Frame Dimensions(mm) | | | | | |
|------------------|-------------------------|-----|-----|----|-----|----|------|-----|-----|--------|-----|-----|---|-----|------|-----|-----|-----|---|----|----------------------|-----|-----|-----|-----|-----|
| | IMB3 | | | | | | | | | IMB14A | | | | | IMB5 | | | | | | AB | AC | AD | HD | L | |
| -2 etc = (Poles) | A | B | C | D | E | F | G | H | K | M | N | P | R | S | T | M | N | P | R | S | T | AB | AC | AD | HD | L |
| D 56 | 90 | 71 | 36 | 9 | 20 | 3 | 7.2 | 56 | 5.8 | 65 | 50 | 80 | 0 | M5 | 2.5 | 100 | 80 | 120 | 0 | 7 | 3.0 | 110 | 112 | 90 | 146 | 198 |
| D 63 | 100 | 80 | 40 | 11 | 23 | 4 | 8.5 | 63 | 7 | 75 | 60 | 90 | 0 | M5 | 2.5 | 115 | 95 | 140 | 0 | 10 | 3.0 | 120 | 119 | 96 | 159 | 219 |
| D 71 | 112 | 90 | 45 | 14 | 30 | 5 | 11 | 71 | 7 | 85 | 70 | 105 | 0 | M6 | 2.5 | 130 | 110 | 160 | 0 | 10 | 3.5 | 132 | 140 | 104 | 175 | 236 |
| D 80 | 125 | 100 | 50 | 19 | 40 | 6 | 15.5 | 80 | 10 | 100 | 80 | 120 | 0 | M6 | 3.0 | 165 | 130 | 200 | 0 | 12 | 3.5 | 160 | 157 | 118 | 198 | 279 |
| D 90S-2 | 140 | 100 | 56 | 24 | 50 | 8 | 20 | 90 | 10 | 115 | 95 | 140 | 0 | M8 | 3.0 | 165 | 130 | 200 | 0 | 12 | 3.5 | 175 | 173 | 125 | 215 | 296 |
| D 90S-4 | 140 | 100 | 56 | 24 | 50 | 8 | 20 | 90 | 10 | 115 | 95 | 140 | 0 | M8 | 3.0 | 165 | 130 | 200 | 0 | 12 | 3.5 | 174 | 177 | 126 | 216 | 313 |
| D 90S-6(0.7kW) | 140 | 100 | 56 | 24 | 50 | 8 | 20 | 90 | 10 | 115 | 95 | 140 | 0 | M8 | 3.0 | 165 | 130 | 200 | 0 | 12 | 3.5 | 175 | 173 | 125 | 215 | 296 |
| D 90S-6 | 140 | 100 | 56 | 24 | 50 | 8 | 20 | 90 | 10 | 115 | 95 | 140 | 0 | M8 | 3.0 | 165 | 130 | 200 | 0 | 12 | 3.5 | 174 | 177 | 126 | 216 | 313 |
| D 90S-8 | 140 | 100 | 56 | 24 | 50 | 8 | 20 | 90 | 10 | 115 | 95 | 140 | 0 | M8 | 3.0 | 165 | 130 | 200 | 0 | 12 | 3.5 | 175 | 173 | 125 | 215 | 296 |
| D 90L-2 | 140 | 125 | 56 | 24 | 50 | 8 | 20 | 90 | 10 | 115 | 95 | 140 | 0 | M8 | 3.0 | 165 | 130 | 200 | 0 | 12 | 3.5 | 175 | 173 | 125 | 215 | 322 |
| D 90L-4 | 140 | 125 | 56 | 24 | 50 | 8 | 20 | 90 | 10 | 115 | 95 | 140 | 0 | M8 | 3.0 | 165 | 130 | 200 | 0 | 12 | 3.5 | 174 | 177 | 126 | 216 | 313 |
| D 90L-6 | 140 | 125 | 56 | 24 | 50 | 8 | 20 | 90 | 10 | 115 | 95 | 140 | 0 | M8 | 3.0 | 165 | 130 | 200 | 0 | 12 | 3.5 | 174 | 177 | 126 | 216 | 313 |
| D 90L-8 | 140 | 125 | 56 | 24 | 50 | 8 | 20 | 90 | 10 | 115 | 95 | 140 | 0 | M8 | 3.0 | 165 | 130 | 200 | 0 | 12 | 3.5 | 175 | 173 | 125 | 215 | 322 |
| D 100L-2 | 160 | 140 | 63 | 28 | 60 | 8 | 24 | 100 | 12 | 130 | 110 | 160 | 0 | M8 | 3.5 | 215 | 180 | 250 | 0 | 15 | 4.0 | 198 | 196 | 134 | 234 | 366 |
| D 100L1-4 | 160 | 140 | 63 | 28 | 60 | 8 | 24 | 100 | 12 | 130 | 110 | 160 | 0 | M8 | 3.5 | 215 | 180 | 250 | 0 | 15 | 4.0 | 198 | 196 | 134 | 234 | 384 |
| D 100L2-4 | 160 | 140 | 63 | 28 | 60 | 8 | 24 | 100 | 12 | 130 | 110 | 160 | 0 | M8 | 3.5 | 215 | 180 | 250 | 0 | 15 | 4.0 | 198 | 198 | 137 | 237 | 384 |
| D 112M | 190 | 140 | 70 | 28 | 60 | 8 | 24 | 112 | 12 | 130 | 110 | 160 | 0 | M8 | 3.5 | 215 | 180 | 250 | 0 | 15 | 4.0 | 220 | 221 | 166 | 278 | 390 |
| D 132S | 216 | 140 | 89 | 38 | 80 | 10 | 33 | 132 | 12 | 165 | 130 | 200 | 0 | M10 | 3.5 | 265 | 230 | 300 | 0 | 15 | 4.0 | 252 | 256 | 184 | 316 | 436 |
| D 132M | 216 | 178 | 89 | 38 | 80 | 10 | 33 | 132 | 12 | 165 | 130 | 200 | 0 | M10 | 3.5 | 265 | 230 | 300 | 0 | 15 | 4.0 | 252 | 256 | 184 | 316 | 474 |
| D 160M | 254 | 210 | 108 | 42 | 110 | 12 | 37 | 160 | 15 | 215 | 180 | 250 | 0 | M12 | 4.0 | 300 | 250 | 350 | 0 | 19 | 5.0 | 290 | 313 | 230 | 390 | 610 |
| D 160L | 254 | 254 | 108 | 42 | 110 | 12 | 37 | 160 | 15 | 215 | 180 | 250 | 0 | M12 | 4.0 | 300 | 250 | 350 | 0 | 19 | 5.0 | 290 | 313 | 230 | 390 | 610 |

NOTES:
 1. Dimensional data subject to change without notice.
 2. Lifting facilities provided on motors frame size D100 and larger.
 3. AS60034 / IEC60072 tolerances apply.



Typical Performance MAX-Alloy (415 Volts)

| Output kW | Full Load Rpm | Frame Size (Output, Pole) | Efficiency Full Load (%) | Power Factor FL (%) | Rated Voltage | Winding Connection | Current | | Torque | | | Weight Foot mounted (Kgs) |
|-----------|---------------|---------------------------|--------------------------|---------------------|---------------|--------------------|------------------|---------------------|----------------|------------------|----------------|---------------------------|
| | | | | | | | Full Load (Amps) | Locked Rotor (Amps) | Full Load (Nm) | Locked Rotor (%) | Break-Down (%) | |
| 0.18 | 2730 | D 63 (12) | 62.0% | 70.0% | 240/415 | Δ/Y | 1.0/0.6 | 450% | 0.630 | 230% | 230% | 3.7 |
| 0.18 | 1400 | D 63 (24) | 58.0% | 65.0% | 240/415 | Δ/Y | 1.2/0.7 | 300% | 1.23 | 240% | 240% | 4.1 |
| 0.25 | 2730 | D 63 (22) | 67.0% | 74.0% | 240/415 | Δ/Y | 1.2/0.7 | 450% | 0.875 | 230% | 230% | 4.2 |
| 0.25 | 1380 | D 7114 | 67.0% | 68.0% | 240/415 | Δ/Y | 1.3/0.8 | 400% | 1.73 | 240% | 240% | 5.1 |
| 0.37 | 2800 | D 7112 | 73.0% | 74.0% | 240/415 | Δ/Y | 1.7/1.0 | 550% | 1.26 | 230% | 230% | 5.1 |
| 0.37 | 1400 | D 7124 | 67.0% | 66.0% | 240/415 | Δ/Y | 2.0/1.2 | 850% | 2.52 | 240% | 240% | 5.9 |
| 0.37 | 910 | D 8016 | 71.0% | 65.0% | 240/415 | Δ/Y | 1.9/1.1 | 400% | 3.88 | 200% | 210% | 8.7 |
| 0.37 | 700 | D 90S-8 | 68.5% | 59.0% | 240/415 | Δ/Y | 2.2/1.3 | 400% | 5.05 | 180% | 190% | 11.5 |
| 0.55 | 2800 | D 7122 | 75.0% | 81.0% | 240/415 | Δ/Y | 2.2/1.3 | 600% | 1.88 | 230% | 230% | 6.2 |
| 0.55 | 1400 | D 8014 | 72.0% | 80.0% | 240/415 | Δ/Y | 2.3/1.3 | 500% | 3.75 | 240% | 240% | 8.7 |
| 0.55 | 910 | D 8026 | 71.0% | 71.0% | 240/415 | Δ/Y | 2.6/1.5 | 450% | 5.77 | 200% | 210% | 9.8 |
| 0.55 | 700 | D 90L-8 | 70.0% | 59.0% | 240/415 | Δ/Y | 3.2/1.9 | 400% | 7.50 | 180% | 190% | 14 |
| 0.7 | 2850 | D 8012 | 75.0% | 83.0% | 240/415 | Δ/Y | 2.7/1.6 | 650% | 2.35 | 220% | 230% | 8.7 |
| 0.7 | 1400 | D 8024 | 73.0% | 75.0% | 240/415 | Δ/Y | 3.1/1.8 | 550% | 4.78 | 230% | 240% | 9.9 |
| 0.7 | 910 | D 90S-6 | 75.0% | 72.0% | 240/415 | Δ/Y | 3.1/1.8 | 450% | 7.35 | 200% | 210% | 12.5 |
| 0.7 | 710 | D 100L1-8 | 76.0% | 67.0% | 240/415 | Δ/Y | 3.3/1.9 | 450% | 9.42 | 180% | 200% | 20.3 |
| 0.75 | 2880 | D 8012 | 78.8% | 84.0% | 240/415 | Δ/Y | 2.8/1.6 | 708% | 2.49 | 230% | 230% | 9.5 |
| 0.75 | 1410 | D 8024 | 80.5% | 74.0% | 240/415 | Δ/Y | 3.1/1.8 | 553% | 5.08 | 230% | 230% | 11 |
| 0.75 | 940 | D 90S-6 | 76.0% | 72.0% | 240/415 | Δ/Y | 3.3/1.9 | 464% | 7.62 | 210% | 210% | 12.5 |
| 1.1 | 2880 | D 8022 | 80.6% | 86.0% | 240/415 | Δ/Y | 3.8/2.2 | 785% | 3.65 | 230% | 230% | 11 |
| 1.1 | 1430 | D 90S-4 | 82.2% | 75.0% | 240/415 | Δ/Y | 4.3/2.5 | 720% | 7.35 | 230% | 230% | 14.5 |
| 1.1 | 940 | D 90L-6 | 78.3% | 73.0% | 240/415 | Δ/Y | 4.7/2.7 | 491% | 11.2 | 210% | 210% | 15.5 |
| 1.5 | 2870 | D 90S-2 | 82.6% | 86.0% | 240/415 | Δ/Y | 5.0/2.9 | 837% | 4.99 | 230% | 230% | 14 |
| 1.5 | 1430 | D 90L-4 | 83.5% | 75.0% | 240/415 | Δ/Y | 5.7/3.3 | 736% | 10.0 | 230% | 230% | 16 |
| 1.5 | 950 | D 100L-6 | 79.9% | 70.0% | 240/415 | Δ/Y | 6.4/3.7 | 584% | 15.1 | 210% | 210% | 26.5 |
| 2.2 | 2870 | D 90L-2 | 84.1% | 87.0% | 240/415 | Δ/Y | 7.3/4.2 | 814% | 7.32 | 230% | 230% | 17 |
| 2.2 | 1450 | D 100L1-4 | 84.9% | 77.0% | 240/415 | Δ/Y | 8.1/4.7 | 806% | 14.5 | 230% | 230% | 24.5 |
| 2.2 | 950 | D 112M-6 | 81.9% | 74.0% | 240/415 | Δ/Y | 8.8/5.1 | 548% | 22.1 | 210% | 210% | 29.5 |
| 3 | 2900 | D 100L-2 | 85.3% | 89.0% | 240/415 | Δ/Y | 9.5/5.5 | 902% | 9.88 | 230% | 230% | 24.5 |
| 3 | 1450 | D 100L2-4 | 86.0% | 79.0% | 240/415 | Δ/Y | 10.6/6.1 | 825% | 19.8 | 230% | 230% | 28 |
| 3 | 960 | D 132S-6 | 83.5% | 74.0% | 240/415 | Δ/Y | 11.8/6.8 | 575% | 29.8 | 203% | 210% | 38.5 |
| 4 | 2920 | D 112M-2 | 86.3% | 89.0% | 415 | Δ | 7.2 | 853% | 13.1 | 230% | 230% | 31 |
| 4 | 1450 | D 112M-4 | 87.0% | 83.0% | 415 | Δ | 7.7 | 830% | 26.34 | 230% | 230% | 35.5 |
| 4 | 960 | D 132M1-6 | 84.7% | 74.0% | 415 | Δ | 8.9 | 657% | 39.79 | 203% | 210% | 48 |
| 5.5 | 2920 | D 132S1-2 | 87.2% | 89.0% | 415 | Δ | 9.9 | 834% | 17.99 | 219% | 230% | 43 |
| 5.5 | 1460 | D 132S-4 | 87.9% | 83.0% | 415 | Δ | 10.5 | 849% | 35.98 | 200% | 230% | 46 |
| 5.5 | 960 | D 132M2-6 | 86.1% | 74.0% | 415 | Δ | 12.0 | 714% | 54.71 | 203% | 210% | 58 |
| 7.5 | 2920 | D 132S2-2 | 88.3% | 89.0% | 415 | Δ | 13.3 | 888% | 24.53 | 220% | 230% | 51 |
| 7.5 | 1460 | D 132M-4 | 88.9% | 84.0% | 415 | Δ | 14.0 | 859% | 49.06 | 200% | 230% | 56 |
| 7.5 | 970 | D 160M-6 | 87.3% | 77.0% | 415 | Δ | 15.5 | 750% | 73.84 | 210% | 210% | 80 |
| 11 | 2940 | D 160M1-2 | 89.5% | 89.0% | 415 | Δ | 19.2 | 900% | 35.73 | 220% | 230% | 87 |
| 11 | 1460 | D 160M-4 | 88.9% | 85.0% | 415 | Δ | 20.3 | 800% | 71.95 | 220% | 230% | 90 |
| 11 | 970 | D 160L-6 | 88.7% | 80.0% | 415 | Δ | 21.6 | 800% | 108.30 | 210% | 210% | 102 |
| 15 | 2940 | D 160M2-2 | 90.3% | 89.0% | 415 | Δ | 26 | 900% | 48.72 | 220% | 230% | 95 |
| 15 | 1460 | D 160L-4 | 90.8% | 85.0% | 415 | Δ | 27 | 850% | 98.12 | 220% | 230% | 105 |
| 18.5 | 2940 | D 160L-2 | 90.8% | 89.0% | 415 | Δ | 31.8 | 900% | 60.09 | 220% | 230% | 111 |

NOTES :

1. Data Subject to AS60034 tolerances.
2. Efficiency Test Method to AS/NZS 1359.5 Test Method A.
3. Data subject to change without notice.



Please contact your local **TECO** sales office for more information



Motors - Drives - Controls - Invicta Vibrating Motors

Web: www.teco.com.au
Email: emd@teco.com.au

SYDNEY
(02) 9765 8118

MELBOURNE
(03) 9720 4411

PERTH
(08) 9479 4879

BRISBANE
(07) 3373 9600

AUCKLAND (NZ)
(64) 9 526 8480